

GCK Hanger Bracket Hook

Features

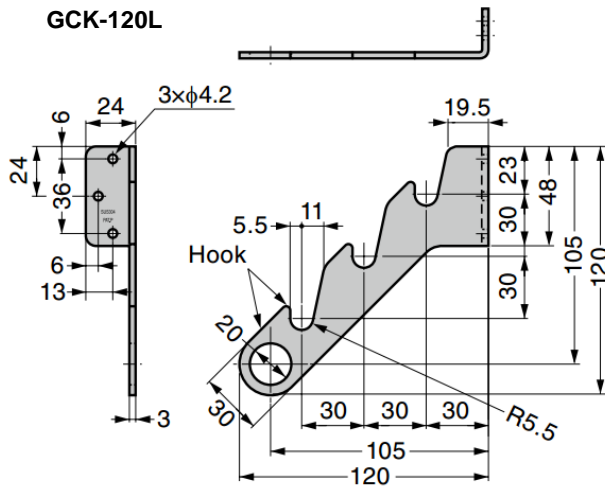
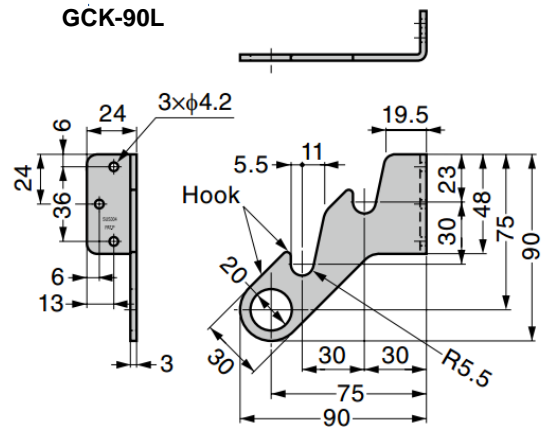
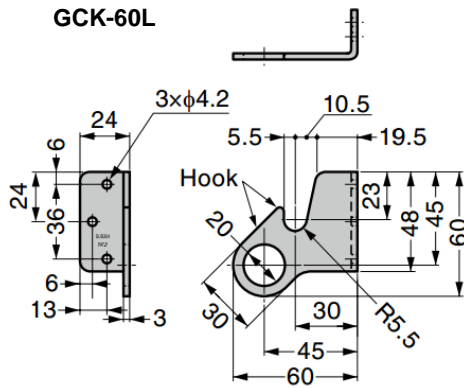
- Polished corners for protecting hands
- Smart satin finish without curved trace
- Can be used for applications including the hanging of hangers

Material

- Stainless steel 304, satin finish

Parts Included

- Truss tapping screw 4x20 (SUS)



Part No.	Hooks	Load Capacity	
GCK-60L	2	14.7 N	1.5 kg
GCK-90L	3		
GCK-120L	4		